

CR151K Resilient Modular Terminal Blocks



CR151C (top) and CR151A Modular Terminal Blocks

**DIN-rail Mounted Terminal Blocks (CR151K).....12-2**  
 Product Tables .....12-3, 12-4  
 Accessories .....12-3, 12-4  
 Technical Data .....12-5  
 Outlines and Dimensions .....12-6

**Panel or Mounting Track Terminal Blocks (CR151C).....12-8**  
 Product Tables.....12-9  
 Accessories .....12-9  
 Outlines and Dimensions .....12-9

**Panel or Mounting Track Terminal Blocks—Sectional (CR151A) .....12-10**  
 Product Tables.....12-10  
 Accessories .....12-10  
 Outlines and Dimensions .....12-11

**Panel or Mounting Track Terminal Boards (CR151B).....12-12**  
 Product Tables.....12-13  
 Accessories .....12-13  
 Outlines and Dimensions .....12-13

**Panel or Mounting Track Terminal Boards (CR2960).....12-14**  
 Product Tables.....12-14  
 Outlines and Dimensions .....12-14

GE's **CR151K** Series resilient molded nylon blocks resist breakage, and occupy minimum space on busy control panels. They are automotive-approved to take the abuse of misguided screwdrivers.

Ratings by wire size translate into amperes-per-circuit, according to the temperature limit of wire insulation and the internal panel ambient temperature, per the typical performance chart on page 12-4.

Fully shielded construction protects all live parts. Nylon has excellent anti-tracking qualities, as well as toughness and impact resistance.

GE's **CR151A,C** modular terminal boards are ideal for general industrial use, including panels, switchboards, and for whatever grouping of wiring connections is desired.

Select from 25-, 30-, 85- or 125-ampere terminal types; 300- or 600-volt ratings; channel or panel mounting. Various types of individual sections may be mixed to meet specific needs.

The **CR151B** and **CR2960SY** terminal boards are heavy-duty, molded terminal boards available for special use in wiring of control panels, and in primary or power circuits. CR151B are available with clear covers for terminal protection.

**Reference Publications**

See Publication Index, Section 17



**Publications and Reference:** See Section 17 for a complete list of additional product-related publications

# Terminal Blocks

## DIN-Rail Mounted Terminal Blocks

### CR151K

Modular Resilient Terminal Boards  
 300 and 600 Volts  
 275 Amp Maximum and 30°C Ambient  
 Automotive Approved

#### Description

Resilient molded nylon blocks resist breakage, and occupy minimum space on busy control panels. They are automotive-approved to take the abuse of misguided screwdrivers.

Ratings by wire size translate into amperes-per-circuit, according to the temperature limit of wire insulation and the internal panel ambient temperature. Refer to typical performance chart on page 12-4.

Fully shielded construction protects all live parts. Nylon has excellent anti-tracking qualities, as well as toughness and impact resistance.

#### Features

- Compact size—four circuits per inch at 300 or 600 Volts, #22-10 wire, without stacking.
- Collar-type terminals with spring-action overlapping top plates:
  - Keep screws in position during shipping—backed out, ready for tightening once wire is installed.
  - Keep connections tight by maintaining pressure on conductors during expansions and contractions.
  - Made of stainless steel #410.
- Large opening makes wiring easy.
- Insulating walls on all sides of entrance to collar, guide the wire into the lug; strands do not go astray.
- Blocks are installed and removed without moving adjacent blocks.

#### Product Number Selection Instructions

1. Product Number represents one device. List price is per device. Devices are sold only in standard carton quantities. Order quantity of devices needed in increments of standard carton quantities
2. Example: Order 200 quantity of CR151KFC @ **\$4.80 each**, **GO-10G5**. Total List Price, **\$960.00**, **GO-10G5**.



CR151KFC04E AWG #22-10, 4 points/inch



AWG #14-2/0, 11 points/foot CR151KFC10B



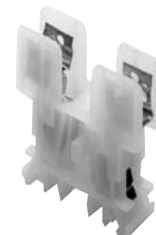
AWG #22-8, 28 points/foot  
CR151KFC



AWG #22-10, 38 points/foot  
CR151KFC43E



AWG #18-2, 19 points/foot  
CR151KFC10C



CR151KCC01AM AWG #22-8,  
5/8-inch wide fuse holder



# Terminal Blocks

## DIN-Rail Mounted Terminal Blocks

### CR151K

### Feed Through Blocks - "Box or Collar" Type Terminals

UL Recognized Current (A)	Amperes @ 30°C	Description	Points per Block	Rail Mounted points/ft.	Wire Size (AWG)	Accessories Ref. No. See Table Below	Product Number	Standard Carton Quantity	List Price GO-10G5
30	50	Compact, 1 inch	4	48	#22-10	1, 2, 9, 10, 14, 21	CR151KFC04E	100	\$6.00
40	50	Compact, 0.94 inch	3	38	#22-10	1, 2, 3, 14, 20, 21	CR151KFC43E	100	\$4.80
40	75	Compact, 1.17 inch	3	28	#22-8	1, 2, 3, 5, 12, 14	CR151KFC	100	\$4.80
40	70	Compact, 5/8 inch	2	38	#22-8	1, 2, 3, 4, 11, 14	CR151KFC02	100	\$3.60
90	130	Medium duty, 1 7/8 inch	3	19	#18-2	1, 2, 3, 6, 14, 21	CR151KFC10C <sup>1</sup>	24	\$10.65
175	270	Large cable, 3 1/8 inch	3	11	#14-2/0	1, 2, 3, 14	CR151KFC10B <sup>1</sup>	8	\$24.00

Notes: Maximum Amperes in 30°C ambient at terminal block—see chart, page 12-4, for other settings.

<sup>1</sup>Also base-mountable

### Circuit Protection Blocks - "Box or Collar" Type Terminals

Current (A)	Function	Fused	Description	Points per Block	Wire Size (AWG)	Accessories Ref. No. See Table Below	Product Number	Standard Carton Quantity	List Price GO-10G5
30	Disconnect	No	Isolating Disconnect	1	#22-8	1, 2, 3, 7, 14, 21	CR151KGC01	20	\$5.85
30	Disconnect	Yes	Isolating Disconnect with holder for 1/4" Dia. by 1" to 1 7/16" long fuse	1	#22-8	1, 2, 3, 7, 14, 21	CR151KHC01AN	20	\$8.40
30	Fuse Block	N/A	For 13/32 x 1 1/2-inch long fuse	1	#22-8	1, 2, 3, 7, 8, 14, 21	CR151KCC01AM	50	\$5.86



### Accessories

Accessories Ref. No.	Accessory Type	No. of Points	Length (in/mm)	Product Number	Standard Carton Quantity	List Price GO-10G5
1	Aluminum Mtg. Rail	N/A	72-in.	CR151KX001	20	\$19.50
2	Stand-Off Channel	N/A	72-in.	CR151KX002 <sup>2</sup>	20	\$22.20
3	Marking Tape	N/A	12 1/2-in.	CR151KX003	50	\$0.38
4	Jumper	2 offset	N/A	CR151KX004	100	\$0.45
5	Jumper	2	N/A	CR151KX005	100	\$0.45
6	Jumper	2	N/A	CR151KX006	100	\$1.13
7	Jumper	2	N/A	CR151KX007	100	\$0.82
8	Fuse Puller (1 per holder)	N/A	N/A	CR151KX008	50	\$1.50
9	Jumper	5	N/A	CR151KX009	100	\$1.05
10	Marking Tape	N/A	6-in.	CR151KX010	50	\$0.38
11	Marking Tab, one block	N/A	N/A	CR151KX011	100	\$0.03
12	Marking Tab, one block	N/A	N/A	CR151KX012	100	\$0.03
13	Molded Marking Tape	N/A	12-in.	CR151KX013	25	\$1.65
14	Aluminum Mtg. Rail	N/A	36-in.	CR151KX014	10	\$9.75
16	Jumper	13	N/A	CR151KX016 <sup>3</sup>	100	\$1.30
17	Marking Strip	N/A	N/A	CR151KX017 <sup>4</sup>	1	\$10.15
20	Jumper	2	N/A	CR151KX020	100	\$0.60
21	DIN rail—35 mm	N/A	1 m	CLXR35 <sup>5</sup>	1	\$8.00

Notes: See Accessories column in other tables to determine where items are used.

<sup>2</sup>Use only with Mounting Rail, CR151KX001 or CR151KX014. Lubrication required on rail when mounting stand-off channel.

<sup>3</sup>For KFC45F

<sup>4</sup>For KFC45F-enough for 30 blocks

<sup>5</sup>GO-10C2



**Publications and Reference:** See Section 17 for a complete list of additional product-related publications

# Terminal Blocks

## DIN-Rail Mounted Terminal Blocks

### CR151K

#### CR151KFC45F 12-Point Terminal Block— Sub-miniature Spacing, 5 Circuits Per Inch

#### Features

- Five circuits per inch give total of 12 circuits in 2.4 inch long terminal block; equal to European 5 mm spacing.
- Voltage/current ratings: 300 Volt rating: 20 A; 600 Volt rating: 5A.
- Larger screws can take torque of standard screwdriver.
- Larger, easier-to-wire openings take one # 12 or two # 14 wires.
- Multi-circuit jumper available.
- Unique staggered design helps keep loose strands from shorting adjacent poles.
- One-piece design—no end barriers and clips needed.
- Extra wide marking area for pressure sensitive tape permits printing or marking prior to assembly; sliding marker design permits easy access to all screws.
- Universal mounting—fits all standard GE rails and mini DIN-rails.



CR151KFC45F AWG #22-12, 60 points/foot

#### Feed Through Blocks - "Box or Collar" Type Terminals

Current (A)	Description	Points per Block	Rail Mounted points/ft.	Wire Size (AWG)	Accessories Ref. No. See Table Below	Product Number	Standard Carton Quantity	List Price GO-10G5
20A @ 300V 50A @ 600V	12-Point Terminal Block	12	60	#12-22	1, 2, 14, 16, 17, 21	CR151KFC45F	20	\$14.85

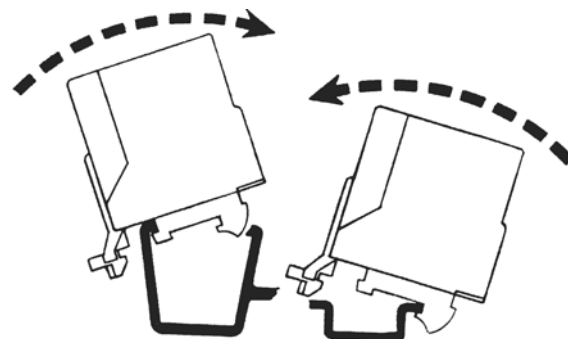
#### Accessories

Accessories Ref. No.	Accessory Type	No. of Points	Length (in/mm)	Product Number	Standard Carton Quantity	List Price GO-10G5
1	Aluminum Mtg. Rail	N/A	72-in.	CR151KX001	20	\$19.50
2	Stand-Off Channel	N/A	72-in.	CR151KX002 <sup>1</sup>	20	\$22.20
14	Aluminum Mtg. Rail	N/A	36-in.	CR151KX014	10	\$9.75
16	Jumper	13	N/A	CR151KX016	100	\$1.30
17	Marking Strip	N/A	N/A	CR151KX017	1	\$10.15
21	DIN rail—35 mm	N/A	1 m	CLXR35 <sup>2</sup>	1	\$8.00

<sup>1</sup>Use only with Mounting Rail, CR151KX001 or CR151KX014. Lubrication required on rail when mounting stand-off channel.

<sup>2</sup>GO-10C2

#### Mounting Method



U.S. Mounting

European Mounting

Illustrations above describe the best methods to mount the CR151KFC45F on GE or mini DIN rails



Product Number Selection Instructions: See page 12-2

# Terminal Blocks

## DIN-Rail Mounted Terminal Blocks

### CR151K

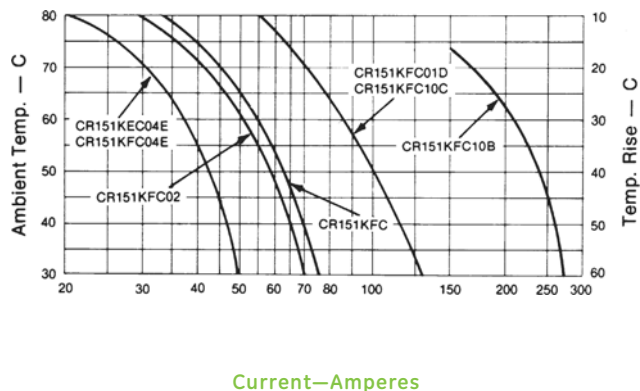
Technical Data

#### Ampere Rating Of Terminal Blocks In Ambient Temperatures 30-80°C

Ampere rating is based on maximum allowable working temperature. This is a sum of ambient temperature and temperature rise caused by the current.

Allowable currents for each wire size are given in the National Electrical Code, with correction factors for ambient temperatures over 30°C. The ratings provided by the graph are based on 90°C total maximum temperature—standard for panel wire insulation and very safe for nylon.

The ratings are based on temperatures reached on the center pole of three adjacent poles, each carrying current and wired with largest size copper conductors indicated for the block.



**Publications and Reference:** See Section 17 for a complete list of additional product-related publications

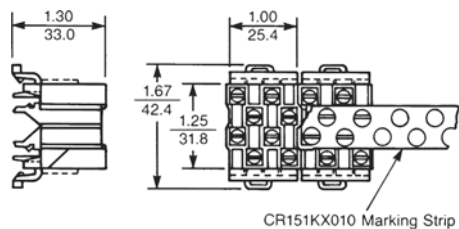
# Terminal Blocks

## DIN-Rail Mounted Terminal Blocks

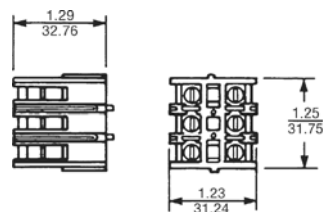
### CR151K

## Section 12

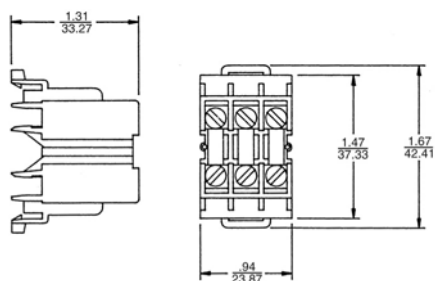
Outlines and Dimensions in. (mm) For Estimating Only



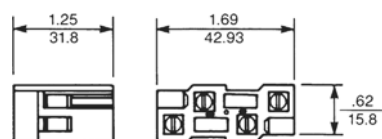
CR151KFC04E



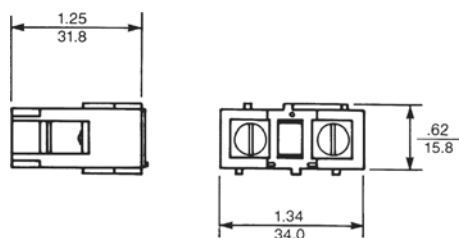
CR151KFC



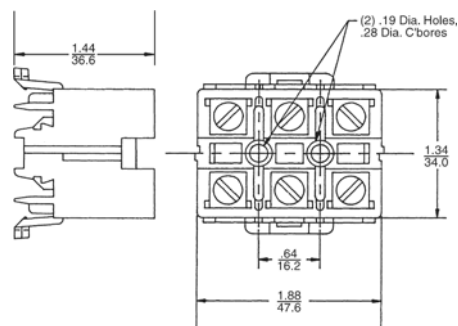
CR151KFC43F



CR151KFC02



CR151KFC01D



CR151KFC10C



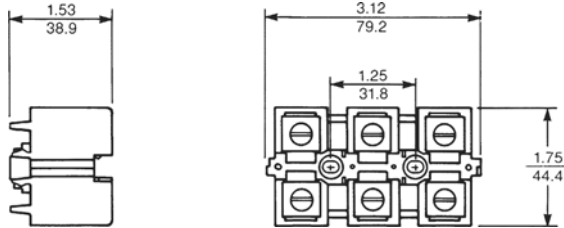
Product Number Selection Instructions: See page 12-2

# Terminal Blocks

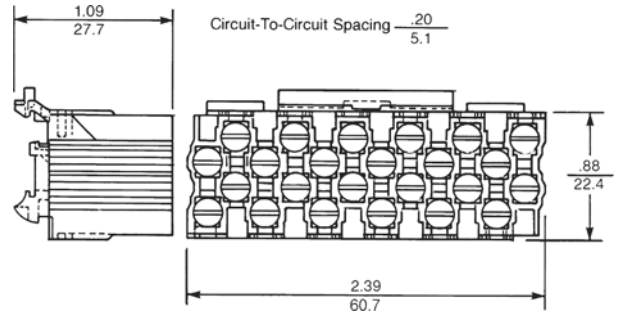
## DIN-Rail Mounted Terminal Blocks

### CR151K

Outlines and Dimensions in. (mm) For Estimating Only

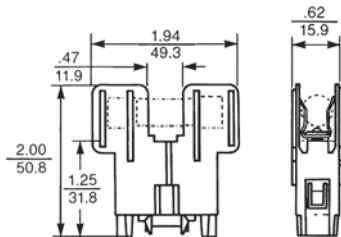


CR151KFC10B

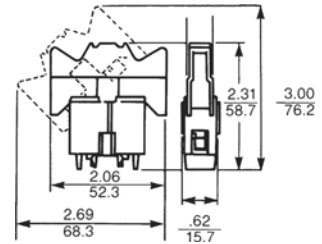


CR151KFC45F

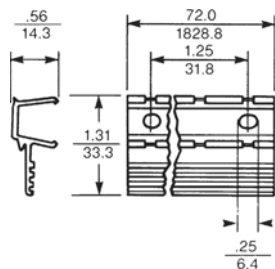
### Accessories



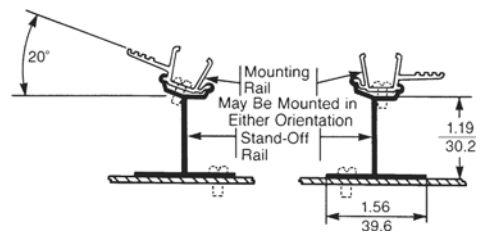
CR151KCC01AM Fuse Holder



CR151KHC01AN and CR151KGC01 Disconnect Blocks



CR151KX001 Mounting Rail



CR151KX002 Stand-Off Channel



Publications and Reference: See Section 17 for a complete list of additional product-related publications

# Terminal Blocks

## DIN-Rail Mounted Terminal Blocks

### CR151C

Modular Terminal Blocks  
300 and 600 Volts  
25, 30 and 85 Amps  
General Industrial Use

#### Application

GE's CR151C terminal boards are well-suited for use on panels, switchboards, or any equipment where it is desirable to group wiring connections. 25- and 30-ampere boards have creepage and clearance distances that meet 300 volt requirements for industrial control equipment. 85-ampere boards meet 600 volt requirements.

Screw, box, and/or box-clamp type individual sections may be mixed by the customer to suit the particular application.

Forms may be obtained with or without the vinyl marking strip.

#### Features

- Choice of one 25-ampere, two 30-ampere and two 85-ampere terminal types.
- Rated 750 volts maximum (IEEE switchgear standards).
- Screw terminals accept 5/16-inch ring or spade connectors, and #22- through #12 wire.
- 30-ampere box terminals accept #18- through #10-wire.
- 85-ampere box terminals accept #14- through #4-wire.
- 30-ampere box clamp terminals accept #22- through #10-wire.
- 85-ampere box clamp terminals accept #14- through #4-wire.
- Interlocking construction—blocks side together.
- Panel or channel mounting.

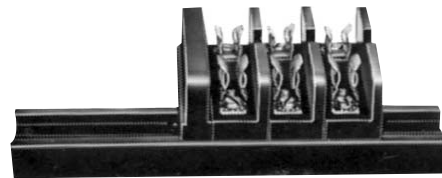
Factory-assembled terminal boards are no longer offered.

#### Product Number Selection Instructions

1. Basic Components in Packaged Quantities
2. Product Number and price represent one piece. Sold only in package quantities. Order in multiples of package quantity shown.



30-Ampere Direct-Mounting-Type Assembled Board with Box Terminals



Fuse Holder Assembled in Mounting Track





# Terminal Blocks Panel or Mounting Track Terminal Blocks

### CR151C

General Industrial Use

#### Terminal Blocks

Function	Termination Type	Marking Strip	Current (A)	Product Number	Package Quantity	Package Shipping Weight, Pounds	List Price GO-10G5
Terminal Block	Screw	not included	25	CR151C0100	100	3	\$1.97
Terminal Block	Screw	included	25	CR151C0100AA	100	3	\$2.06
Terminal Block	Box	not included	30	CR151C0200	100	3	\$2.04
Terminal Block	Box	included	30	CR151C0200AA	100	3	\$2.13
Terminal Block	Box Clamp	not included	30	CR151C0300	100	3	\$2.61
Terminal Block	Box Clamp	included	30	CR151C0300AA	100	3	\$2.70
Terminal Block	Box	not included	85	CR151C2200	100	8	\$2.55
Terminal Block	Box	included	85	CR151C2200AA	100	8	\$2.62
Terminal Block	Box Clamp	not included	85	CR151C2300	100	8	\$3.25
Terminal Block	Box Clamp	included	85	CR151C2300AA	100	8	\$3.35

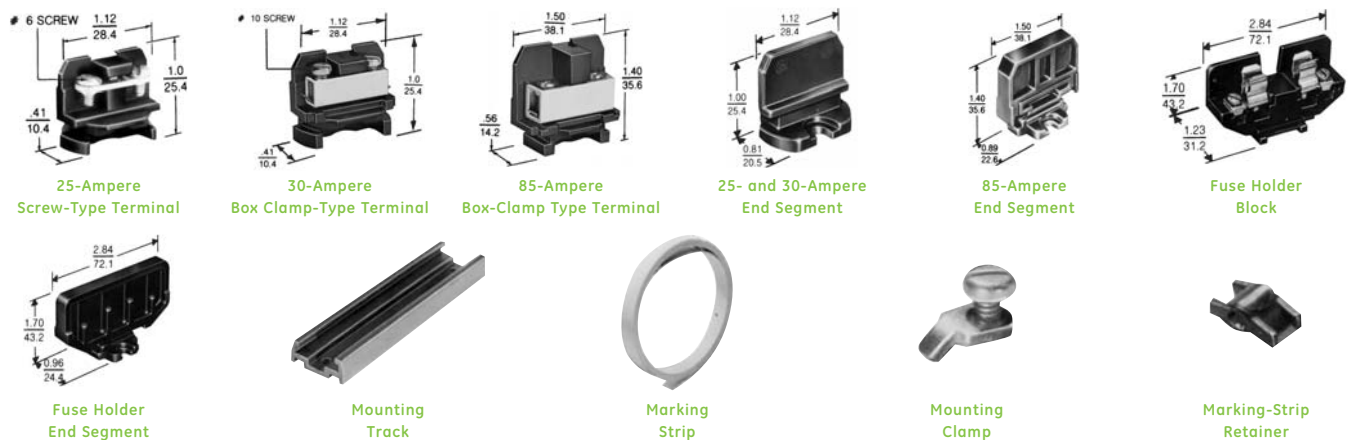
#### Accessories

Accessory Type	Notes	Current (A)	Product Number	Package Quantity	Package Shipping Weight, Pounds	List Price GO-10G5
End Segment	Need one for each assembled board; use 85-amp segment as separator whenever 30- and 85-amp forms are used side-by-side	25, 30	CR151C1	50	1	\$1.60
End Segment	Need one for each assembled board; use 85-amp segment as separator whenever 30- and 85-amp forms are used side-by-side	85	CR151C10	50	1	\$2.04
Mounting Track	Four feet long	N/A	CR151C2	1		\$21.75
Vinyl Marking Strip	50 inches long	N/A	CR151C3	1		\$2.85
Mounting Clamp	Need two per each channel mounted board	N/A	CR151C7	50		\$1.00
Marking Strip Retainer	Need one per each mounted marking strip	N/A	CR151C8	50		\$0.16

#### Fuse Blocks

Type	Termination Type	Notes	Marking Strip	Current (A)	Product Number	Package Quantity	List Price GO-10G5
Fuse Block <sup>1</sup>	Saddle/Screw Clamp		N/A	N/A	CR151C11	1	\$11.70
Fuse Holder End Block		End Segment		N/A	CR151C12		\$2.55

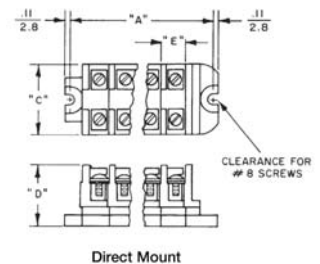
<sup>1</sup>Accepts single or dual element ferrule type fuses, 13/32-inch diameter by 1 1/2-inches long, 15 amp, 600 volt



#### Outlines and Dimensions in. (mm) For Estimating Only

##### Direct Mounted Forms (Without Channel)

Current	Dimension A	Dimension C	Dimension D	Dimension E
25 and 30 Amp	[No. of points x 4 (10.2)] + .6 (15.2)	1.12 (28.4)	1.00 (25.4)	0.41 (10.4)
85 Amp	[No. of points x .562 (14.3)] + .68 (17.3)	1.50 (38.1)	1.44 (36.6)	0.56 (14.2)



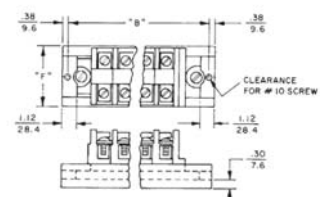
Direct Mount

##### Channel-Mounted Forms

Current	Dimension B	Dimension F
25 and 30 Amp	[No. of points x .4 (10.2)] + 2.32 (58.9)	1.38 (35.0)
85 Amp	[No. of points x .562 (14.3)] + 2.32 (58.9)	1.50 (38.1)

Note: Terminal boards with more than 12 points should be separated into two or more sections to facilitate mounting with the necessary intermediate mounting screws.

Example: A 15-point board should consist of one 7-point section and one 8-point section.



Channel Mount



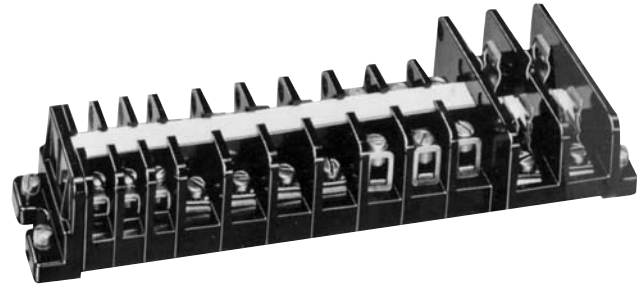
Publications and Reference: See Section 17 for a complete list of additional product-related publications

# Terminal Blocks Panel or Mounting Track Terminal Blocks

## Section 12

### CR151A

Modular Terminal Blocks  
600 Volts  
30, 85 and 125 Amps



Typical Customer assembled sectional terminal board using several types of terminal block sections.

#### Product Number Selection Instructions

1. Product Number and price represent one piece.
2. Sold only in package quantities.
3. Order in multiples of package quantity shown.

#### Sectional Terminal Blocks

Function	Wire Size	Termination Type	Current (A)	Voltage (V)	Product Number	Package Quantity	List Price GO-10G5
Terminal Block	#18-10	Box Clamp	30	600	CR151A1 <sup>1</sup>	50	\$2.70
Terminal Block	-	Binding Screw	30	600	CR151A2 <sup>1</sup>	50	\$2.22
Terminal Block	#16-10	Saddle Clamp	30	600	CR151A3 <sup>1</sup>	50	\$2.22
Terminal Block	#14-4	Box Lug	85	600	CR151A6 <sup>1</sup>	25	\$5.08
Terminal Block	-	Screw	30	600	CR151A19 <sup>1</sup>	50	\$2.22
Terminal Block	#6-1/0	Box Lug	125	600	CR151A7 <sup>1</sup>	1	\$7.50
Fuse Block	-	Saddle/Screw Clamp	30	600	CR151A8 <sup>2</sup>	1	\$9.00

<sup>1</sup>One mounting assembly kit (CR151A10) is required to complete each terminal board.

<sup>2</sup>Fuses not included. Single or dual element ferrule type fuses. 13/32-inch diameter by 1 1/2-inch long, rated 30-amp, 250 or 600 volt.

#### Accessories

Accessory Type	Description	Product Number	Package Quantity	List Price GO-10G5
Mounting Assembly Kit	consists of two end blocks, a standard size barrier, a 16-inch marking strip and two guide inserts	CR151A10	1	\$5.70
Marking strip	50-inches	CR151A11	1	\$3.00
Large size barrier	use with CR151A7 and/or CR151A8 to replace standard size barrier	CR151A12	50	\$0.90
Guide insert	used to maintain rigidity of long boards—two included in mounting assembly kit	CR151A13 <sup>1</sup>	10	\$0.30
Overload relay mounting kit	permits mounting of Size 1 or 2 100-Line overload relays	CR151A18 <sup>2</sup>	1	\$6.00
Transition Blocks	permits placement of fuse clip block in positions other than at either end of assembly board	CR151A27	50	\$3.00

<sup>1</sup>Guide inserts are required to securely mount terminal blocks to DIN-rail.

<sup>2</sup>CR151A18 units require 1 1/8-inch of mounting track.



CR151A1



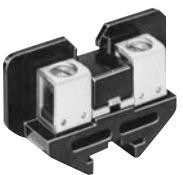
CR151A2



CR151A3



CR151A6



CR151A7



CR151A8



CR151A19



# Terminal Blocks Panel or Mounting Track Terminal Blocks

### CR151A

#### Accessories

#### How to Determine Mounting Track Length

If all the terminal blocks are of the same type, use the table below to determine the proper mounting track; if terminal blocks are to be mixed, multiply the width by the number of each type of block you need. Widths (overall thickness) of block sections are listed below. Total the results, then add 1 3/8 inches to allow for two end blocks and one barrier (either large or small).

Total gives the minimum track length for your application. Select length of track from table below, allowing space to add blocks of

different ratings and terminal sizes in the future. For example: Your application requires a board with twelve 30-ampere screw-type terminals and two 30-ampere fuse clips. Width of the 30-ampere terminals would be 12 x 5/8 or 7 1/2 inches; total for the fuse clips would be 2 x 3/4 inches or 1 1/2 inches. Total block length is 9 inches. To this, add 1 3/8 inches (for two end blocks and barrier) and you get 10 3/8 inches. Smallest mounting track that can be ordered is CR151A1018, which is 12 7/8 inches long.

#### Mounting Track

Length (in/mm)	Product Number	List Price GO-10GS	Max. Blocks/Track (CR151A1)	Max. Blocks/Track (CR151A2-A6, A9)	Max. Blocks/Track (CR151A7, A8)
3.50 (88.9)	CR151A1003	\$0.90	4	3	2
6.00 (152.4)	CR151A1007	\$1.50	10	7	6
9.12 (231.6)	CR151A1012	\$2.10	18	12	10
12.88 (327.2)	CR151A1018	\$3.00	27	18	15
16.62 (422.1)	CR151A1024	\$3.90	36	24	20
24.12 (612.6)	CR151A1036	\$5.70	54	36	30
29.12 (739.6)	CR151A1044	\$6.90	68	44	36
48.00 (1219.2)	CR151A1001	\$11.40	114	74	61

#### Width of Terminal Blocks

Terminal Type	Product Number	Dimensions Diagram No.	Width in (mm)	Screw Size
Box Clamp	CR151A1	1	0.42 (10.7)	NA
Binding Screw	CR151A2	1	0.62 (15.8)	# 8-32
Saddle Clamp	CR151A3	1	0.62 (15.8)	# 8-32
Quick-connect	CR151A4	1	0.62 (15.8)	NA
Combination Quick-connect Saddle Clamp	CR151A5	1	0.62 (15.8)	# 8-32
Box Lug	CR151A6	1	0.62 (15.8)	NA
Box Lug	CR151A7	2	0.62 (19.0)	NA
Saddle/Screw Clamp	CR151A8	2	0.75 (19.0)	# 8-32
Screw	CR151A19	1	0.62 (15.8)	# 8-32

These dimensions refer to Product Numbers found on page 12-10

#### Outlines and Dimensions in. (mm) For Estimating Only

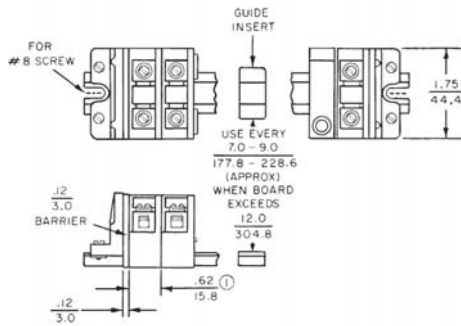


Diagram 1  
CR151A1, A2, A3, A5, A6, A19

① On CR151A1 30-amp box terminals, width of block is .42 inches (10.7 mm).

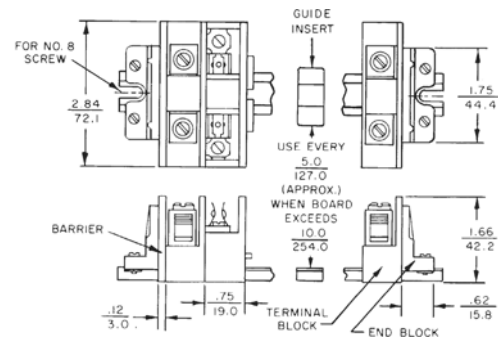
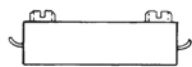
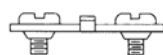


Diagram 2  
CR151A7, A8

#### Terminal Configurations



30-amp  
box clamp



30-amp  
screw



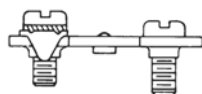
30-amp  
saddle-clamp



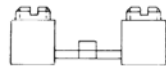
30-amp  
quick-connect



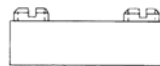
30-amp saddle-clamp  
and quick-connect



30-amp saddle-clamp  
and screw



125-amp  
box lug



85-amp  
box lug



30-amp  
fuse clip



Publications and Reference: See Section 17 for a complete list of additional product-related publications

# Terminal Blocks

## Panel or Mounting Track Terminal Blocks

### CR151B

One Piece Terminal Boards for Control Circuit  
600 Volts  
30 Amps

#### Application

These molded terminal boards are for use in wiring of control panels.

A write-on marking strip markable with ink or pencil is included. Terminal boards may be mounted end-to-end without spacing.

#### Features

- Electrical rating—30 amperes, 600 volts.
- Rugged material—phenolic.
- Number of points per board—4, 6, 12, or 13.
- Mounting—may be mounted end-to-end without spacing
- Terminal identification—15/32-inch wide marking strip; markable with ink or pencil.
- Wiring—terminals accept wire sizes through AWG # 10

#### Product Number Selection Instructions

1. Order one piece terminal boards by complete Product Number and by package quantity. Example: Eight (8) six-point, one-piece boards are required, rated 30 amperes, 600 volts with screw-type terminals both sides: order ten CR151B6 at **\$7.20 each, GO-10G5**.

#### Ratings for all Binding Screw and Round Washer Head Screw Terminals

- Suitable for #18 - #10 AWG stranded or solid copper wire, single conductor only.
- Torque 20 in-lb.

#### Ratings for all Wire Clamp Terminals

- Suitable for #18 - #10 AWG stranded or solid copper wire, single or parallel conductors of same size and type (stranded/stranded or solid/solid only).
- Torque 20 in-lb.

#### Parallel two conductor size combinations

Wire Size (AWG)	Torque
#10 with #12	20 in-lb (stranded/stranded or solid/solid wire only)
#12 with #14	20 in-lb (stranded/stranded wire only)
#14 with #16	20 in-lb (stranded/stranded or solid/solid wire only)
#14 with #18	20 in-lb (stranded/stranded wire only)
#16 with #18	20 in-lb (stranded/stranded or solid/solid wire only)

#### Parallel three conductor size combinations

Wire Size	Torque
#14 with #14 with #14	20 in-lb (stranded/stranded/stranded wire only)
#16 with #16 with #16	20 in-lb (stranded/stranded/stranded wire only)
#18 with #18 with #18	20 in-lb (stranded/stranded/stranded wire only)



CR151B, 6-Point Terminal Board

#### Agency Certifications

- UL Recognized, File E40800, Vol. 3, Sec. 2 (Category XCFR2 Terminal Blocks - Component)
- CSA Certified, File LR-15492-157 (Class 3211 07 Industrial Control Equipment - Miscellaneous Apparatus)



# Terminal Blocks Panel or Mounting Track Terminal Boards CR151B

### Panel or Mounting Track Terminal Boards

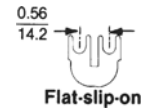
Termination Type	Terminal Cover	Points Per Board <sup>1</sup>	Product Number <sup>2</sup>	List Price GO-10G5
Screw-Type Both Sides	None	4	CR151B4	\$4.80
Screw-Type Both Sides	None	6	CR151B6	\$7.20
Screw-Type Both Sides	None	12	CR151B2	\$12.90
Screw-Type Both Sides	None	13	CR151B213A	\$14.00
Screw-Type Both Sides	Clear Cover	4	CR151B41AF	\$5.60
Screw-Type Both Sides	Clear Cover	6	CR151B61AF	\$8.20
Screw-Type Both Sides	Clear Cover	12	CR151B21AF	\$14.10
Screw-Type One Side, Wire Clamp Other Side	None	4	CR151B45	\$6.30
Screw-Type One Side, Wire Clamp Other Side	None	6	CR151B65	\$8.10
Screw-Type One Side, Wire Clamp Other Side	None	12	CR151B25	\$15.00
Screw-Type One Side, Wire Clamp Other Side	Clear Cover	4	CR151B45AF	\$7.10
Screw-Type One Side, Wire Clamp Other Side	Clear Cover	6	CR151B65AF	\$9.10
Screw-Type One Side, Wire Clamp Other Side	Clear Cover	12	CR151B25AF	\$16.20
Screw With Wire Clamp Both Sides	None	4	CR151B46	\$7.20
Screw With Wire Clamp Both Sides	None	6	CR151B66	\$9.00
Screw With Wire Clamp Both Sides	None	12	CR151B26	\$16.80
Screw With Wire Clamp Both Sides	None	13	CR151B213B	\$19.00
Screw With Wire Clamp Both Sides	Clear Cover	4	CR151B46AF	\$8.00
Screw With Wire Clamp Both Sides	Clear Cover	6	CR151B66AF	\$10.00
Screw With Wire Clamp Both Sides	Clear Cover	12	CR151B26AF	\$18.00
Washer Head Screw Both Sides	None	4	CR151B40	\$5.40
Washer Head Screw Both Sides	None	6	CR151B60	\$7.80
Washer Head Screw Both Sides	None	12	CR151B20	\$14.10
Washer Head Screw Both Sides	Clear Cover	4	CR151B40AF	\$6.20
Washer Head Screw Both Sides	Clear Cover	6	CR151B60AF	\$8.80
Washer Head Screw Both Sides	Clear Cover	12	CR151B20AF	\$15.30

<sup>1</sup>Where number of points desired is not listed use combination of boards.

<sup>2</sup>Product Number and price represent one piece. Sold only in packages of 10. Order in multiples of 10 pieces. Minimum order quantity is 10.

### Accessories

Accessory Type	Description	Product Number	List Price GO-10G5
Jumper	For customer connection of adjacent screw-type terminal board	CR151X301 <sup>3</sup>	\$0.55



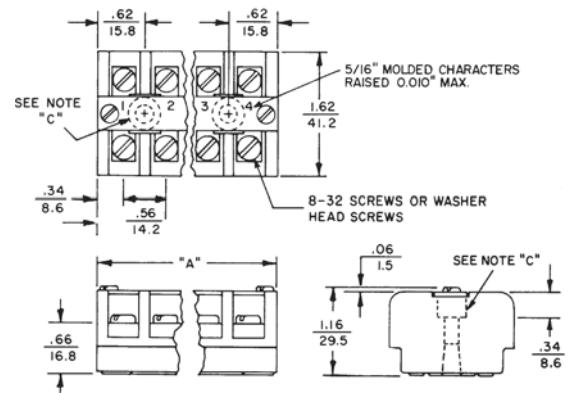
<sup>3</sup>Product Number and price represent one piece. Sold only in packages of 100. Order in multiples of 100 pieces. Minimum order quantity is 100.

CR151X301 Diagram

### Outlines and Dimensions in. (mm) For Estimating Only

#### Panel or Mounting Track Terminal Boards

Points Per Board	Dimension A	Distance Between Mounting Hole Centers in (mm)	Package (10 units) Shipping Weight, Pounds
4	2.38 (60.4)	1.12 (28.5)	2
6	3.50 (88.9)	2.25 (57.2)	3
12	6.88 (174.8)	5.62 (142.8)	6
13	7.50 (190.5)	6.19 (157.2)	7



**Note C:** Terminal boards mount with two #8 screws. Mounting holes are located under Marking Strip.



**Publications and Reference:** See Section 17 for a complete list of additional product-related publications

# Terminal Blocks Panel or Mounting Track Terminal Boards

## Section 12

### CR2960

One Piece Terminal Board for Power Circuits

600 Volts

300 Amps Maximum

Heavy-Duty Use

#### Application

These heavy-duty terminal boards are for use in primary or power circuits up to the ampere rating listed.

Blocks have binding screws for both incoming and outgoing lines.



#### Features

- Where to use—power circuits.
- Ratings—50-, 100-, 150-, 300-amperes; 600 volts.
- Type of construction and material—one-piece, phenolic.
- Terminal configurations—binding screw terminals (stud terminals) on 300-ampere forms.
- Type of mounting—panel.

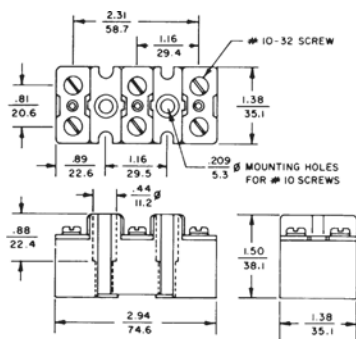
#### CR2960 Terminal Board (50-Amperes)

#### Panel or Mounting Track Terminal Boards—Screw

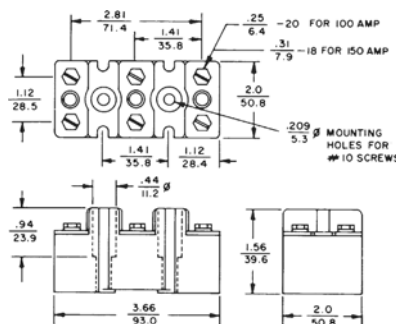
Points per Board <sup>1</sup>	Current (A)	Wire Size (AWG)	Screw/Stud Size	Distance Between Barriers (inches)	Product Number	List Price GO-10G6
2	300	through AWG kcmil 350	1/2"-13	1.31	CR2960SY139D2A	\$40.80
3	50	through AWG # 6	# 10-32	0.625	CR2960SY139C3B	\$20.10
3	100	through AWG # 1	1/4"-20	0.850	CR2960SY139C3C	\$25.50
3	150	through AWG # 3/0	5/16"-18	0.850	CR2960SY139C3D	\$31.50
3	300	through AWG kcmil 350	1/2"-13	1.31	CR2960SY139D3A	\$58.20

<sup>1</sup>Where number of circuits desired is not listed, use combination of boards.

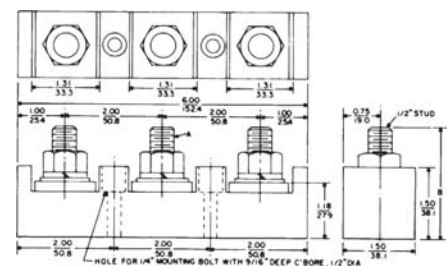
#### Outlines and Dimensions in. (mm) For Estimating Only



CR2960 50-Ampere Power Circuit  
Terminal Boards



CR2960 100-, 150-Ampere Power Circuit  
Terminal Boards



CR2960 300-Ampere Power Circuit  
Terminal Boards.

